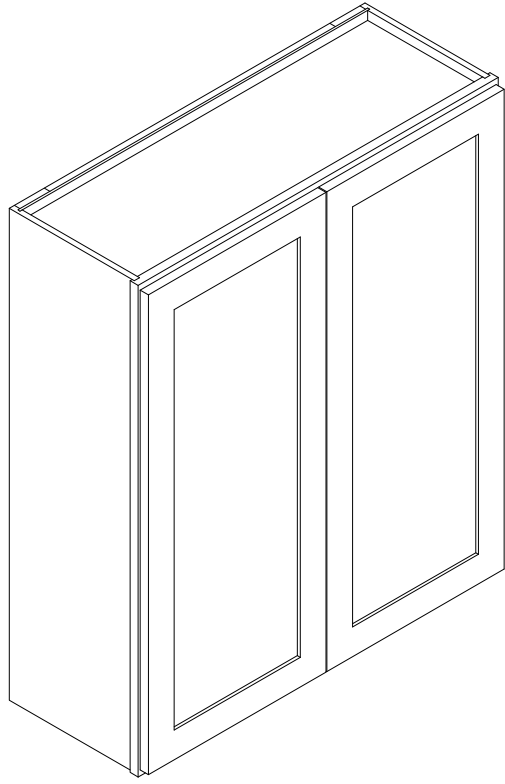


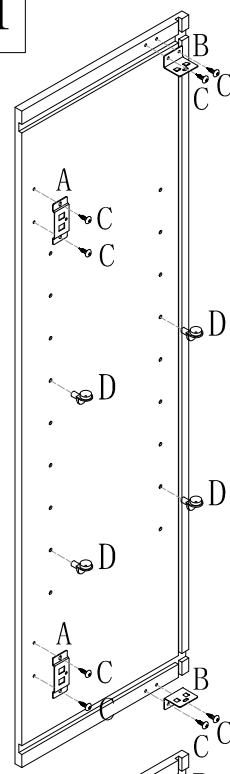
ASSEMBLY INSTRUCTIONS

W2439/W2739/W3039/W3339

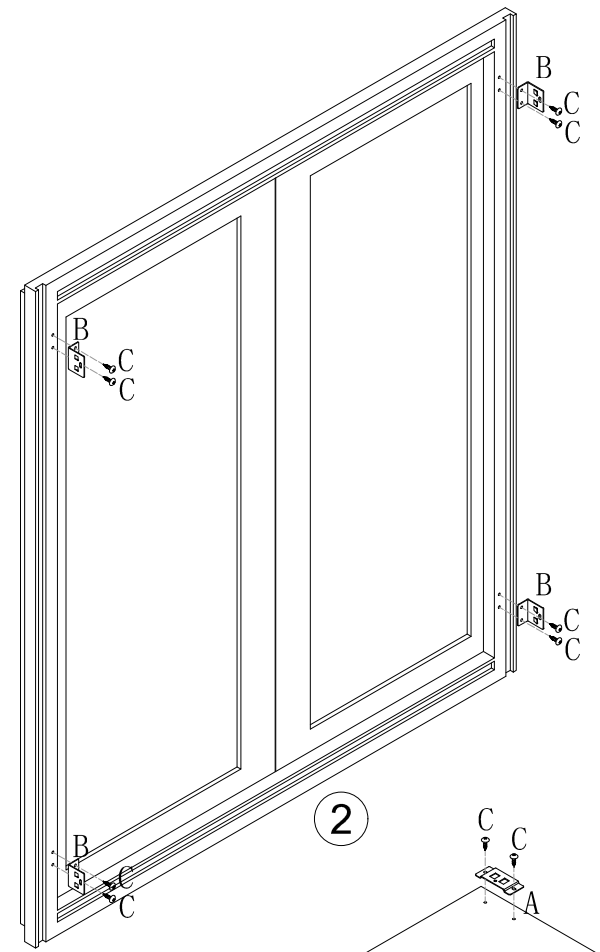


Step 1

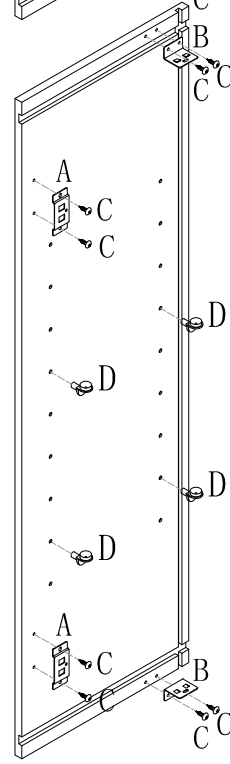
1



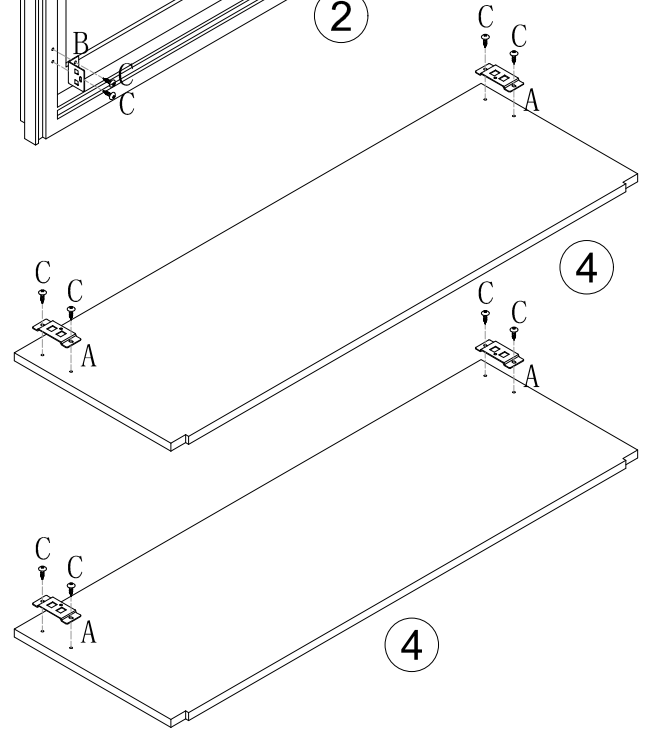
2




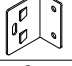
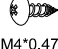

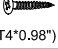
1



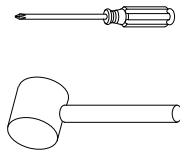
4



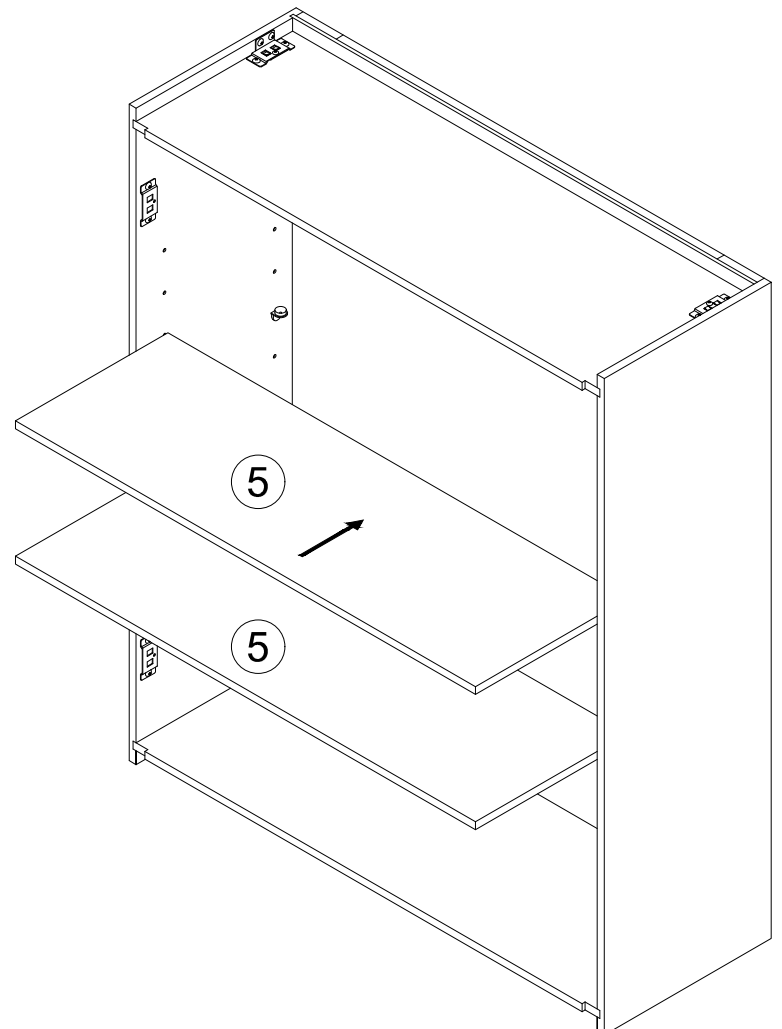
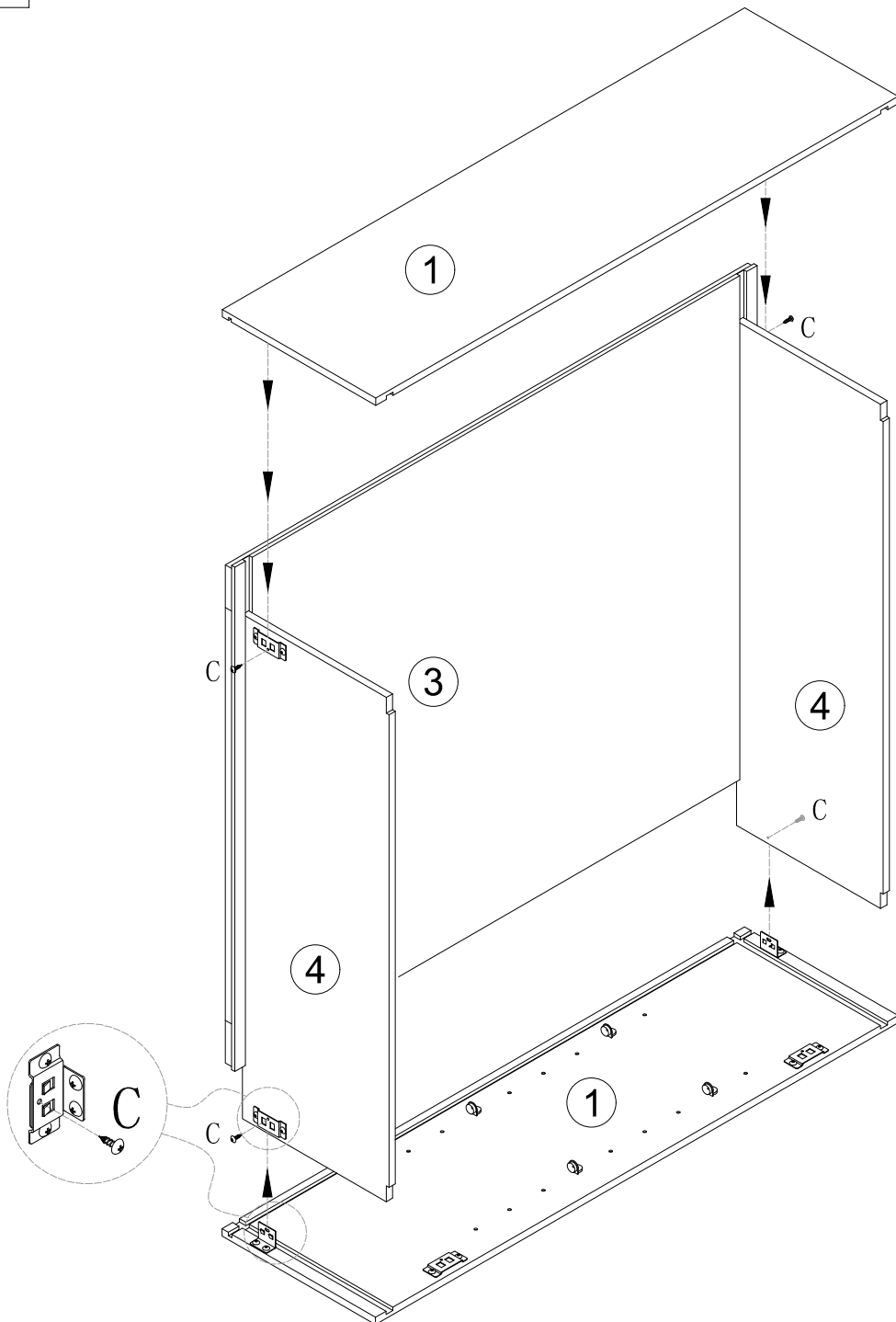
Parts list

NO.	Parts	QTY
A		8
B		8
C	 (M4*0.47")	40
D		8
E	 (T4*0.98")	2

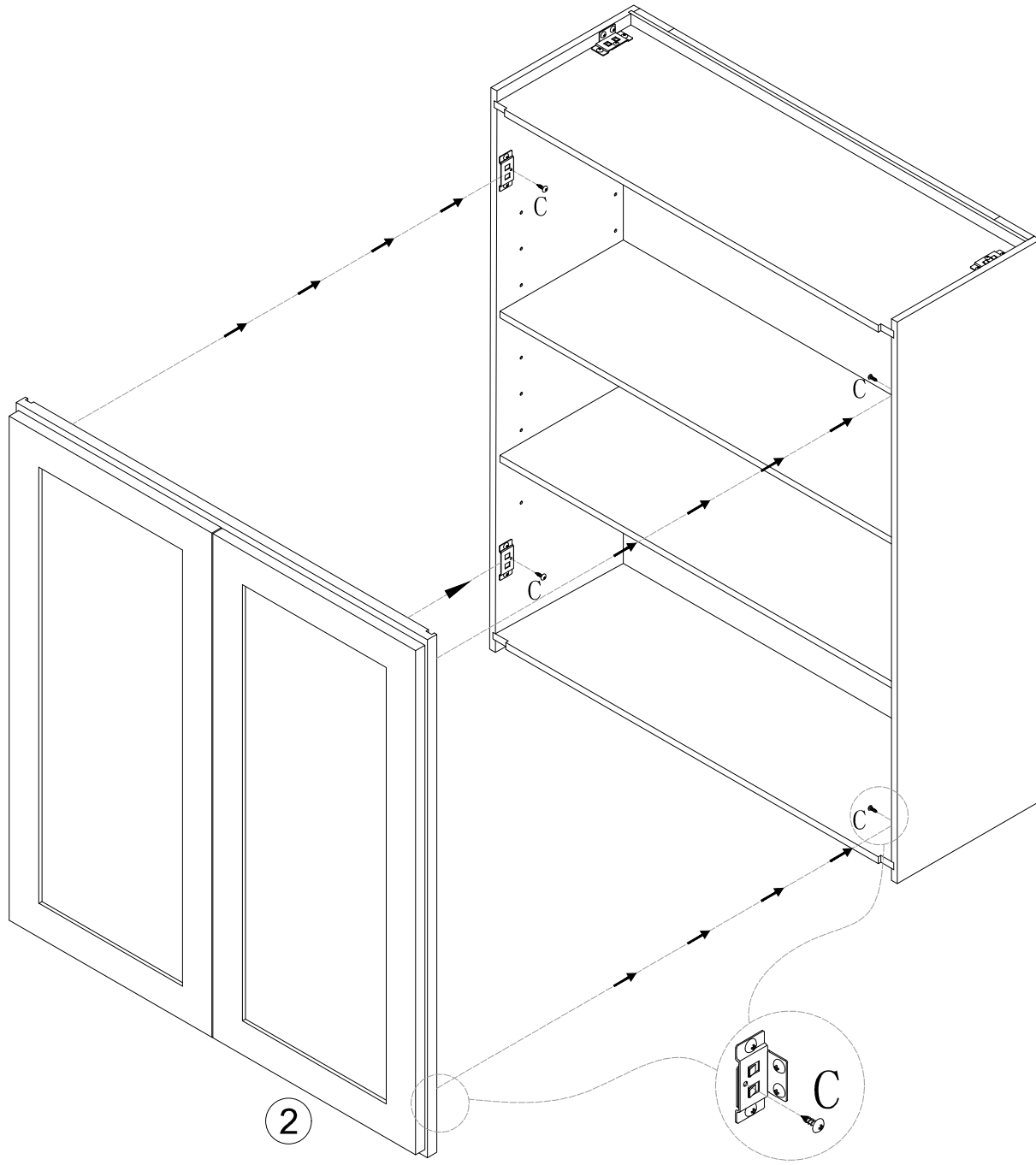
Tools (required but not provided)



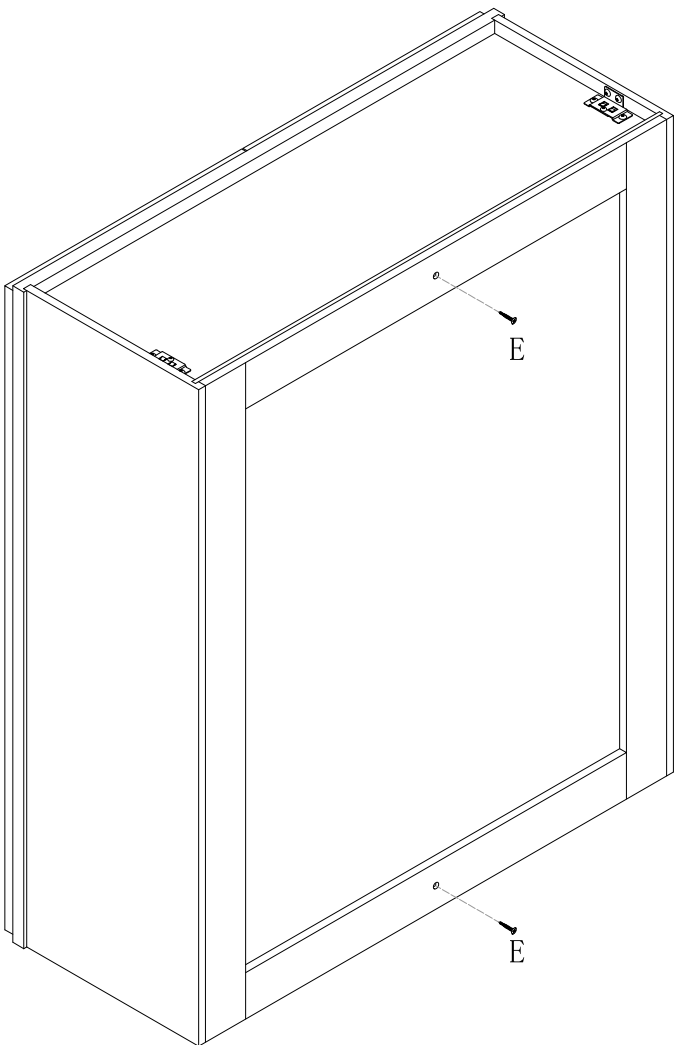
Step 2



Step 3



Step 4



Finished

